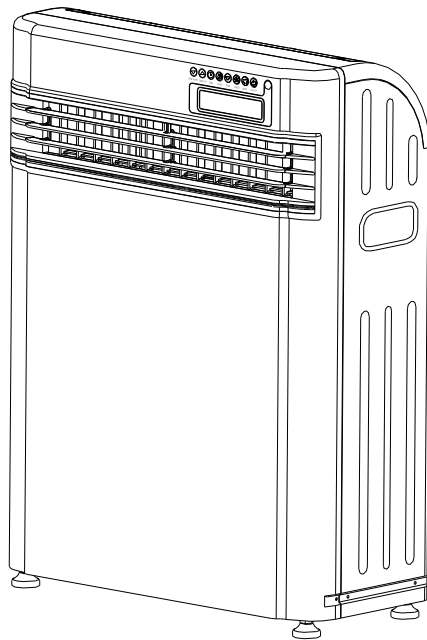


# SINCLAIR

## THROUGH-WALL AIR CONDITIONER

Instruction Manual



**Model AW-12A**

PLEASE READ THE INSTRUCTION MANUAL CAREFULLY BEFORE USING THIS UNIT.

## Table of Contents

1.Safety Cautions .....	1
2.Configuration .....	2
3.Assemble and disassemble .....	4
4.Operating instrutions .....	10
5.Maintenance .....	13
6.Technical parameters .....	14
7.Troubleshooting .....	15
8.Loading List .....	16

# Safety cautions

## SAFETY WARNING

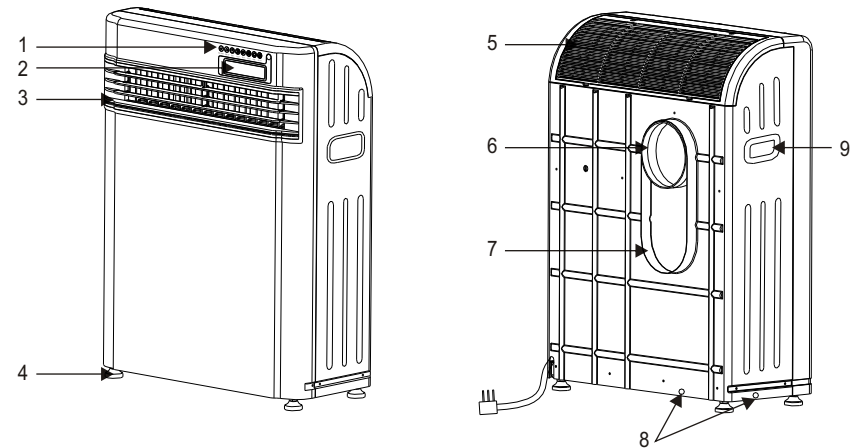
- Do not use this product near open flame. Inflammable and explosives.
- To avoid the possibility of any damage, do not beat, crush or shake this machine.
- Do not cover or block the inlet and outlet in case of any potential hazard caused by over-heating of this machine
- To avoid the possibility of electrical Shock, make sure this machines is not easily exposed to water
- Make sure the professional Electric Personnel or service agent IS sended for maintenance When the power cord is damaged.
- Do not alter the length of the power cord or share the socket with other eleCtric appliances.
- To avoid the possibility of electrical shock, do not unplug with wet hands.
- Do not insert sticks or other objects.
- Do not use altered power cord plug.
- Do not allow Children playing around.

## PRECAUTIONS

- Please place this machine 1m away from the TV and radio to avoid the possibility of electromagnetic interference.
- Do not place This machine in the sun to avoid the fading of the surface.
- Make sure the angle of inclination is less than 35° While transportation , 5° While operating;
- This machine can not be used in certain rooms(more detailed information in the technical parameters)
- Do not use chemical solvent to clean the surface to avoid the possibility of any SCRATCH, DAMAGE and deformation.
- Make sure the condenser water IS fully discharged during Removal or inclination to avoid any leakage.

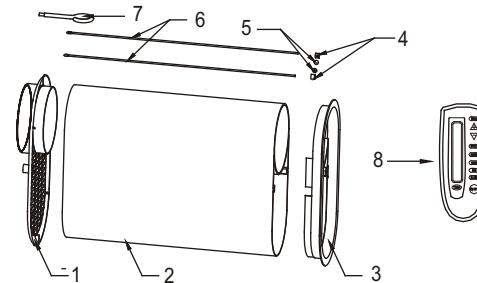
# Configuration

## BODY CONFIGURATION



1. Control Panel
2. Display Window
3. Indoor Outlet
4. Adjustable Foot pad
5. Indoor Inlet
6. Outdoor Outlet
7. Outdoor Inlet
8. Drain
9. Handle

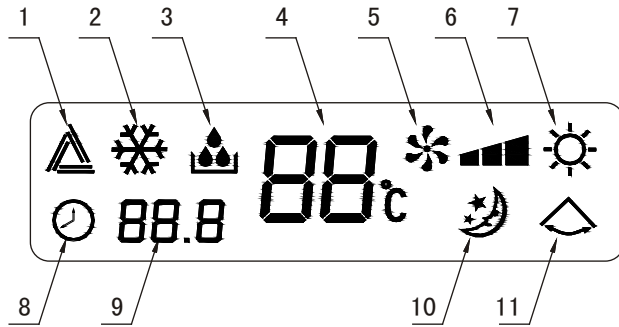
## Component configuration



1. Drainpipe external joint
2. Drainpipe
3. Drainpipe internal joint
4. Screw
5. Cushion
6. Drainpipe Connecting rod
7. Drainpipe external joint hook
8. RemotE controller

# Configuration

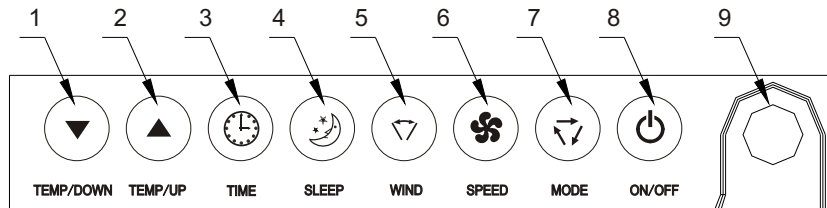
## ■ DISPLAY SCREEN SYMBOL SPECIFICATION



DISPLAY SCREEN

- 1.AUTO
- 2.COOLING
- 3.DEHUMIDIFICATION
- 4.TEMPERATURE
- 5.FAN SPEED
- 6.FAN SPEED
- 7.HEAT
- 8.SETTLE THE HOUR
- 9.TIMER
- 10.SLEEP
- 11.WIND DIRECTION

## ■ OPERATION BUTTON SPECIFICATION

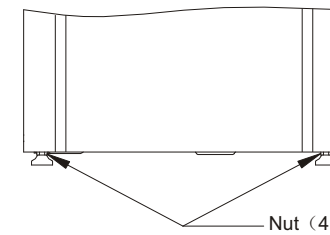


- 1.TEMPERATURE/WIND SPEED DOWN
- 2.TEMPERATURE/WIND SPEED UP
- 3.TIMING
- 4.SLEEP
- 5. AUTOMATIC SWING
- 6. WINDSPEED
- 7. MODE
- 8. ON/OFF
- 9. CONTROLLER ACCEPTANCE WINDOW

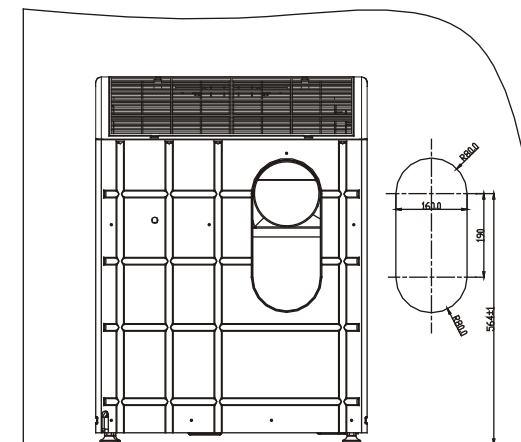
# Assemble And Disassemble

## ■ ASSEMBLE

1. Put the machine in Place, ADJUST the nut to keep the machine horizontal; Any inclination will cause Inadequate passage of water in the machine.



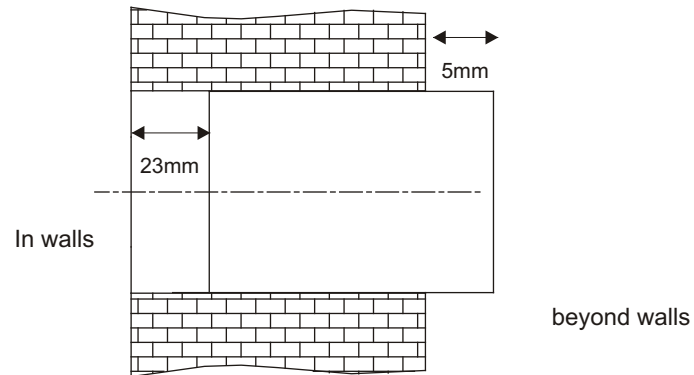
2. Drill a hole in walls in accordance with the position of the DRAINPIPE (As illustrated in the picture)



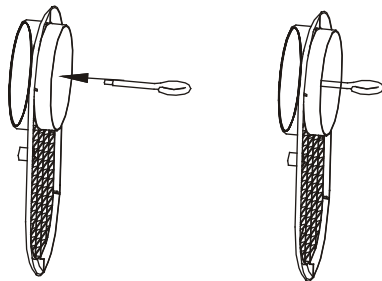
## Assemble And Disassemble

3. Place the drainpipe (L=482mm) In waist-shape hole, beyond the external wall 5mm;

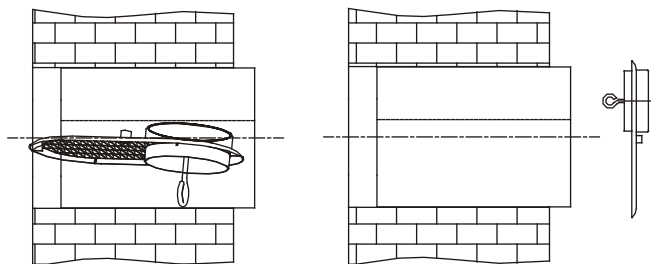
NOTE: The length of the drainpipe can be incised in accordance with the thickness of the wall (Ex. the thickness of the wall W=300mm,  $482+23-300-5=200$ mm can be incised)



4. Wrench the drainpipe external joint hook into the drainpipe external joint

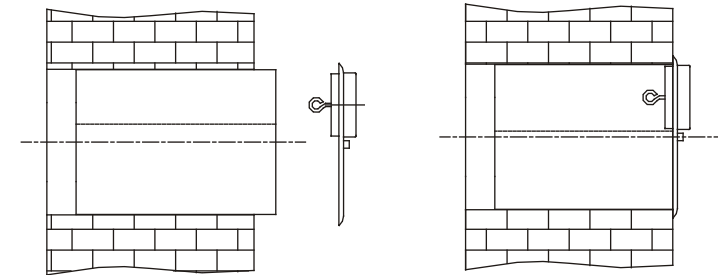


5. Stretch beyond the wall through the macropore in the drainpipe

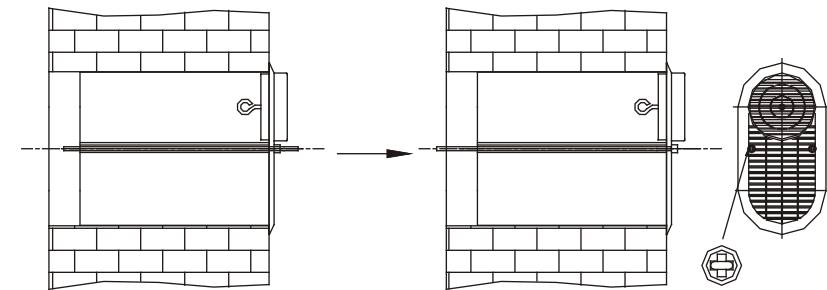


## Assemble And Disassemble

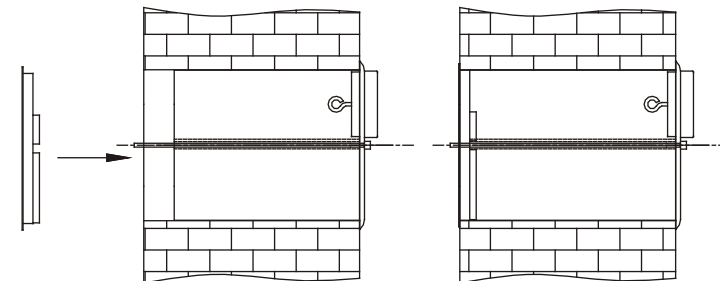
6 . Pull the drainpipe external joint in walls to make it coordinate with the drainpipe ;



7 . Stretch the drainpipe Connecting rod to a certain length beyond the wall Through the rail alongside the drainpipe, then Rotate 90° And pull inwards horizontally till the limit;

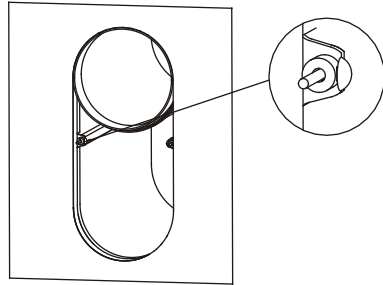


8 . Accomodate the drainpipe internal joint into the drainpipe through drainpipe connecting rod.



## Assemble And Disassemble

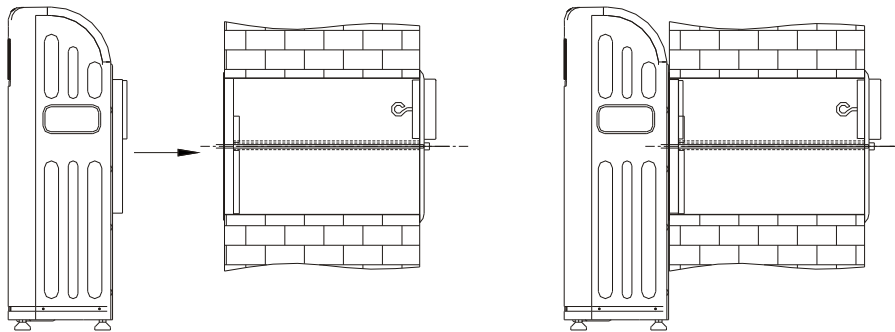
9. Cushion into the connecting rod for air exhaust duct, and fix screw.



10. Disconnect the excessive drainpipe connecting rod;

11. Another drainpipe connecting rod follows 7-10

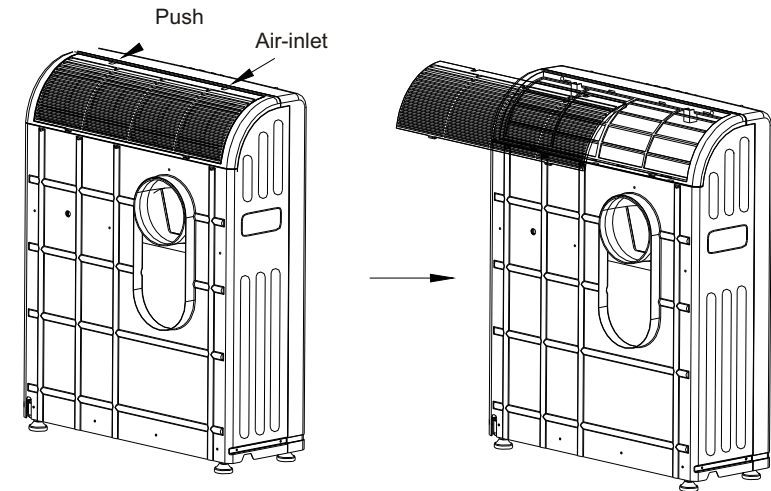
12. Push the machine into the hole on the wall (the height of the screw can be adjusted to facilitate the process).



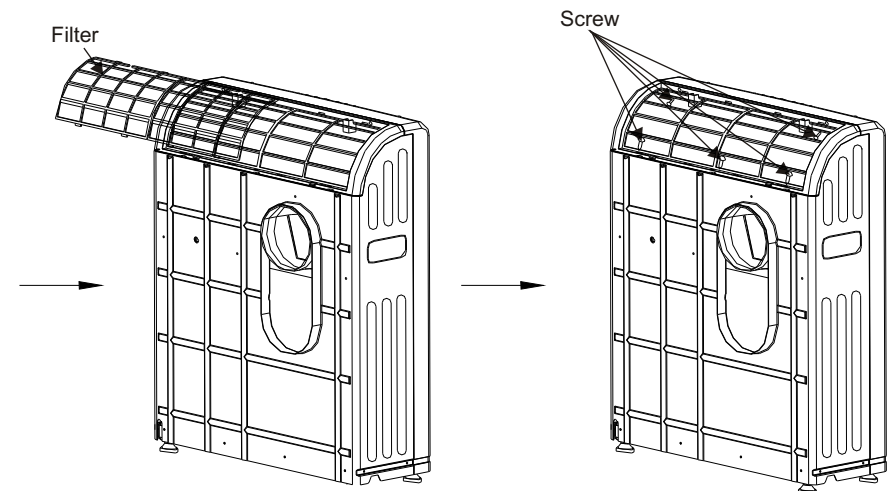
## Assemble And Disassemble

The following procedure can be applied when the machine is to be fixed on the wall (at the request of the customers)

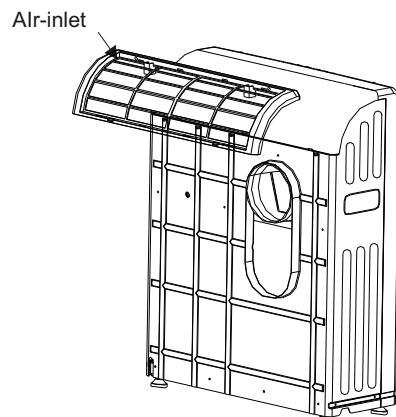
1. Push hard the tab to the back of the machine, rotate the air-inlet grille and remove it;



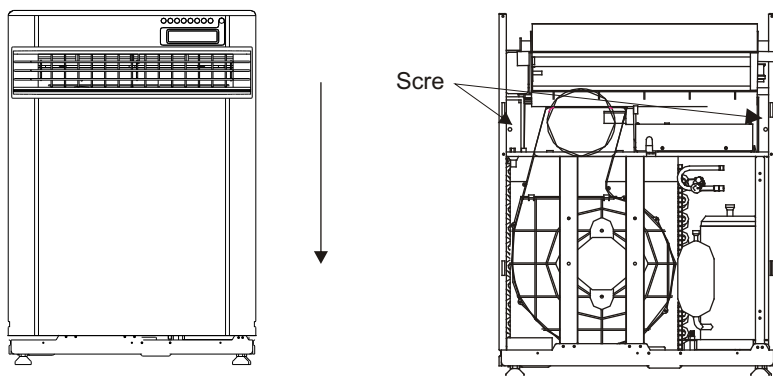
2. Remove the filter, release the screw, and remove the air-inlet frame;



## Assemble And Disassemble



3. Push upward the front shroud and then forward, then remove it;
4. Sew on the screw st5x8 and fix it;



5. Assemble the disassembled parts following the complementary procedures.

### Disassemble

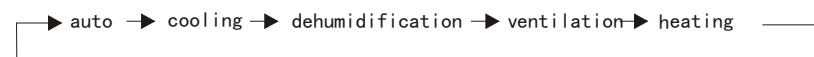
1. If the machine is fixed on the wall, disassemble the air-inlet frame and front cover, then wrench the screw;
2. Remove the machine;
3. Loose the screw, and remove the fixed connecting rod cover and drainpipe internal joint;
4. Loose the drainpipe connecting rod and rotate 90°, remove along the rail alongside the drainpipe;
5. Remove the drainpipe from the drainpipe;
6. Remove the drainpipe.

## Operating Instructions

● OPERATION BUTTON SPECIFICATION: (the buzzer will make a "D" sound when pressing The button and the operation is effective.)

1. When the electricity is on, the machine will make two "D D" Short Sound, press the button, the machine is on; press again, the machine is Off; turn on the machine after the machine halts, 3 minutes automatic protection will be on.

2. For setting the operation mode, in accordance with the following order:



3. → low speed wind → medium speed wind → high speed wind

4. TEMP/UP AND TEMP/DOWN: to set temperature and timing

- (1) Set the temperature, once pressing the button TEMP/UP TEMP/DOWN, the temperature climbs or falls 1°C; when the indoor temperature is displayed on LED, when first pressing the button, it will switch to the display of setting temperature, after that, every time when pressing the button, the temperature climbs or falls 1°C; 5 seconds after the operation, LED will re-display the indoor temperature;
- (2) When in the time setting position, every time when pressing TIME/UP TIME/DOWN, the time gains or loses 1 hour, the time being 0-12 hour circulating setting, 5 seconds after the time setting, it will fall into timer position; if the current setting is 0 hour, 5 seconds after the time setting, it will quit the timing position.

5. TIMER:

- (1) To set the machine on, pressing the button can set timing shutdown, pressing the TEMP/UP TEMP/DOWN can set timing shutdown; re-pressing the button when the timing is not determined will cancel timing shutdown; during timing shutdown, the customer can shutdown the machine manually to cancel the timing shutdown;
- (2) To set the machine off, pressing the button can set the timing start, pressing the TEMP/UP TEMP/DOWN can set the on time; press the button again when the timing is not determined can cancel the timing shutdown, the customer can shutdown the machine manually to cancel the timing shutdown;

6. SWING:

Press the button will switch between automatic swing and swing halt, the swing angle being 120°. The swing wind is simultaneous with the internal wind machine switch.

7. SLEEP:

(Sleep can only work when the cooling and heating mode is on, sleep will automatically cancel when restart) when the sleep is on, the internal wind machine will automatically switch to low wind.

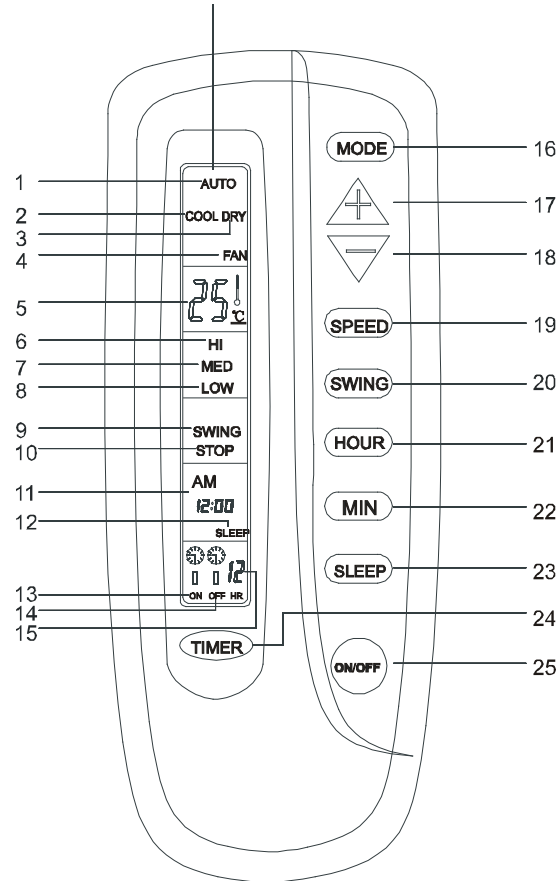
A. When the cooling is on: after 1 hour, the set temperature climbs 1°C; 2 hour later, it climbs another 1°C; 6 hours later, off;

B. When the heating is on: after 1 hour, the set temperature falls 1°C; 2 hour later, it falls another 1°C; 6 hours later, off;

# Operating instructions

## ● Remote controller operation

LCD display screen

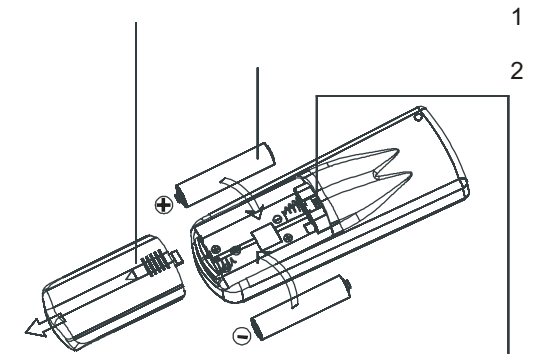


- 1.Auto
- 2.Cooling
- 3.Dehumidification
- 4.Ventilation
- 5.Temperature
- 6.Highspeedwind
- 7.Mediumspeed wind
- 8.Lowspeed wind
- 9.Auto swing on
- 10.Auto swing off
- 11.Time
- 12.Sleep on
- 13.Timer on
- 14.Timer off
- 15Timing
16. Mode
- 17Temp/ up
18. Temp/ down
19. Wind speed
20. Swing
21. Time hour
22. Time minute
23. Sleep on/off
24. Timing
25. On/off

# Operating instructions

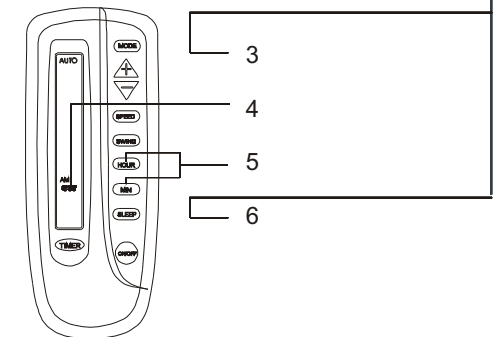
## ● How to assemble batteries and set the time

- 1.open back cover
- 2.place the batteries into the slot, pay attention to the two poles.
- 3.press the button as illustrated in the picture
- 4.set the time flash
- 5.adjust the hour button
- 6press the button as illustrated in the picture again when the time is set, the setting is completed when the time display symbol stops flashing.



### Notes:

1. The positive pole and negative pole of the battery must correspond with the respective pole on the controller.
2. Do not mix the new batteries with the old ones.
3. Please remove the batteries when the controller is not to be used for a while.
4. To avoid environmental pollution, make sure the batteries are removed before deserted, and arrange them properly.



## ● How to operate with the controller

There are two methods to use the controller to operate the auto、cooling、heating、dehumidification、ventilation mode:

1. Select the operation mode>> adjust the setting temperature>> adjust the wind speed >>. off (this method is same with the operating instructions of the operating panel)

## Maintenance

### ■ FILTER CLEANING

1. Remove the air-inlet grille; remove the filter from back of the machine;
2. Soak the filter in 40° C or so mild water contain natural detergent to clean, dry it in the shades;
3. After dried put the filter back to the back of the machine and close the air-inlet grille.

#### Notes:

1. To avoid the possibility of any electrical shock, make sure the machine is shutdown and the socket is unplugged before cleaning;
2. If the air output decreases due to the pile-up of dust in the filter, it is suggested the filter be cleaned every other month.

#### Drainage

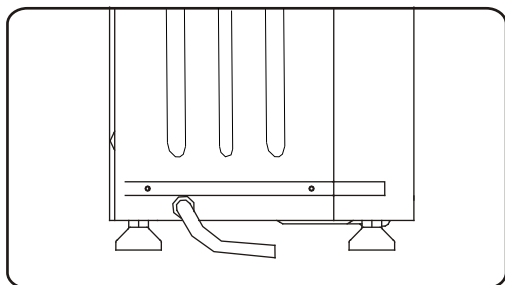
When the machine is on the cooling position, the condenser water will be discharged into the chassis, auto-alarm will be on when the chassis is filled with water, the buzzer beeps for 20 seconds, LED display screen will display E4; meanwhile the cooling system is off. The indoor unit machine will shut after 3 minutes, please unplug the rubber plug alongside the machine for drainage if more cooling is needed.

#### ● continuous-drainage

Please select this method when the machine will be used for a while;

1. Unplug the rubber plug alongside the machine as illustrated in the picture. Place it carefully for further usage.
2. Connect the drain pipe to the drain as illustrated in the picture. The condenser water will be discharged from the drain pipe.
3. Take the drain pipe connect with drainage.
4. PVC pipe with inner pathway of 8mm can be connected to the drain pipe. If the drain pipe is to be lengthened.

Notes; the drain pipe shall be parallel with or lower than the drain.



## Technical parameters

Model	AW-12A	
Refrigerating capacity (Btu/h)/ (W)	12000/3500	
Heating capacity(Btu/h)/ (W)	12000/3500	
Dehumidification capacity (L/h)	1.8	
Heating input power (W)	1500	
Refrigerating input power (W)	1300	
Circulating input air (m <sup>3</sup> /h)	400	
power(single-phase) (V~/ Hz)	230V/50Hz	
Noise dB (A)	≤52	
Net weight (kg)	47	
Dimensions	body (mm)	610×285×825
	Body package (mm)	685x370x885
	Accessories package (mm)	420X230X525
Refrigerant Charge	R410A / 790g	
Applicable area(m <sup>2</sup> )	20~25	

Notes: since the high updating speed of the products, revision of Technical parameters will not be otherwise notified.

Device is not intended for continuous running.



## Troubleshooting

Before maintenance request, please check the machine with the following methods:

TROUBLES	CAUSES	SETTLEMENT
the machine can not start	Power troubles: 1. the power cord is not plugged 2.the power cord or socket is damaged 3.The fuse is cut off	1.Plug the power cord 2. Change the power cord or socket 3. (Specification: 3.15A/250V),ask the local after-service agent to change the fuse
The machines stops automatically	Timing off time is up or the indoor temperature is lower than the set temperature	Close timing shutdown or wait until machine starts
No cool air when cooling position is on	1. indoor temperature is lower than the set temperature 2. The indoor temperature is too low and causes anti-frozen protection	1. This is normal, it will start automatically when the indoor temperature is higher than the set temperature 2. The machine will start automatically after defrosting.
No hot air when heating position is on	1. The indoor temperature is higher than the set temperature 2Defrosting	This is normal, the machine will start automatically when after defrost or indoor temperature is lower than the set temperature.
LED "E1"	lack of coolant	re-start after adding coolant
LED "E2"	indoor temperature sensor out of order or damaged	change indoor temperature sensor
LED "E3"	indoor coil sensor out of order or damaged	change indoor coil sensor
LED "E4"	chassis filled with water	Discharge the chassis
LED "E5"	outdoor coil sensor out of order or damaged	change outdoor coil sensor

## Loading list

No.1	BODY PACKAGE COMPONENTS NAME	QUANTITY
1.1	Mobile air conditioner	1
1.2	Controller	1
1.3	Specifications	1
1.4	Drainpipe(1.5m)	1
No.2	ACCESSORIES PACKAGE COMPONENTS NAME	
2.1	Drainpipe internal joint	1
2.2	Drainpipe external joint	1
2.3	Drainpipe	1
2.4	Drainpipe connecting rod	2
2.5	Drainpipe external joint hook	1
2.6	M3 screw cushion	2
2.7	Universal wheel	4
2.8	Spanner	1
2.9	Drainage pan	1
2.10	Drain connective pipe	1