



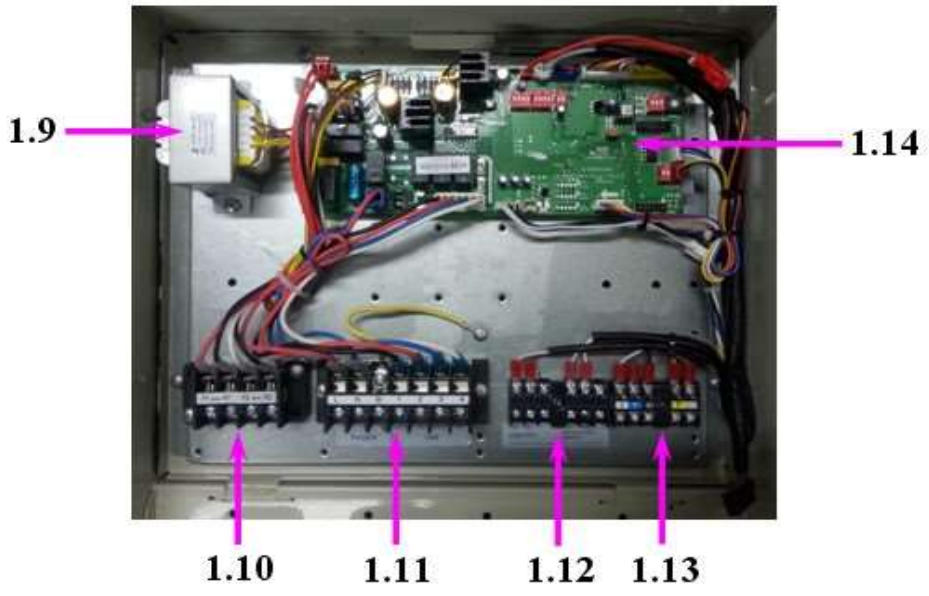
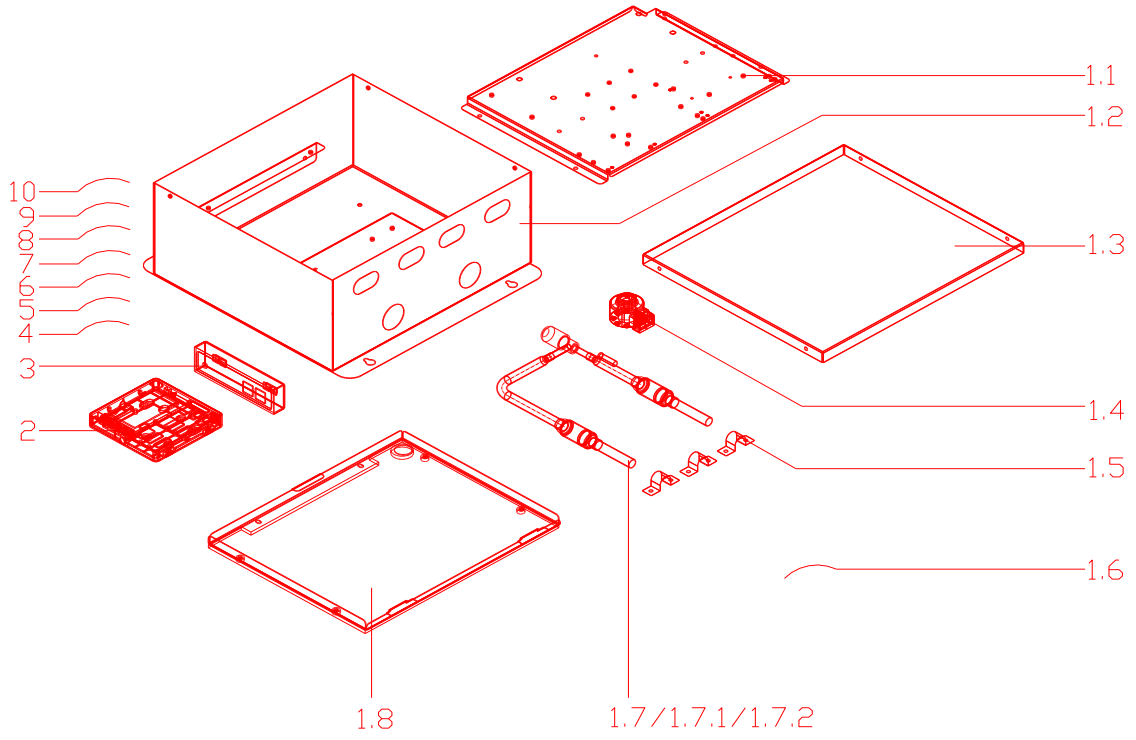
FULL DC INVERTER SYSTEMS

SPARE PARTS LISTS
AHUKZ-01A, AHUKZ-02A, AHUKZ-03A

COMMERCIAL AIR CONDITIONERS SDV4



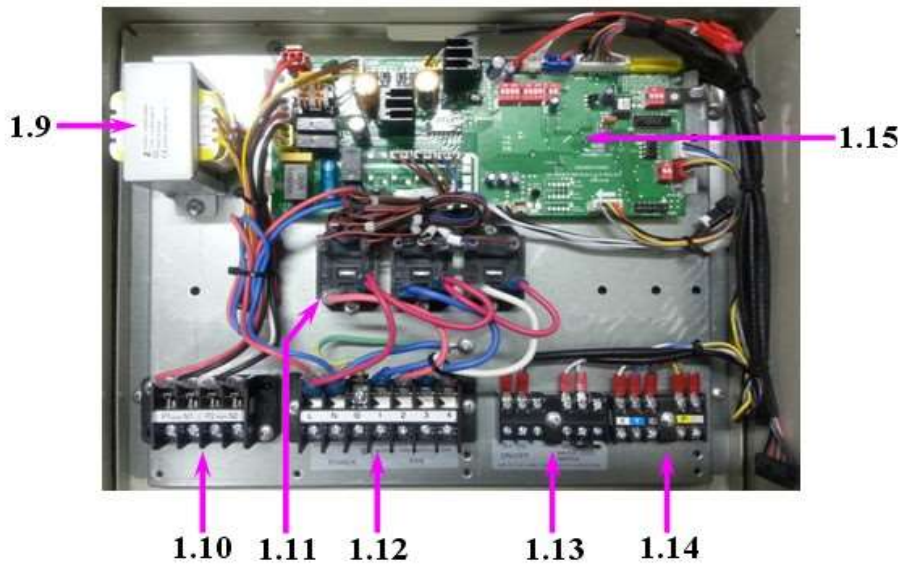
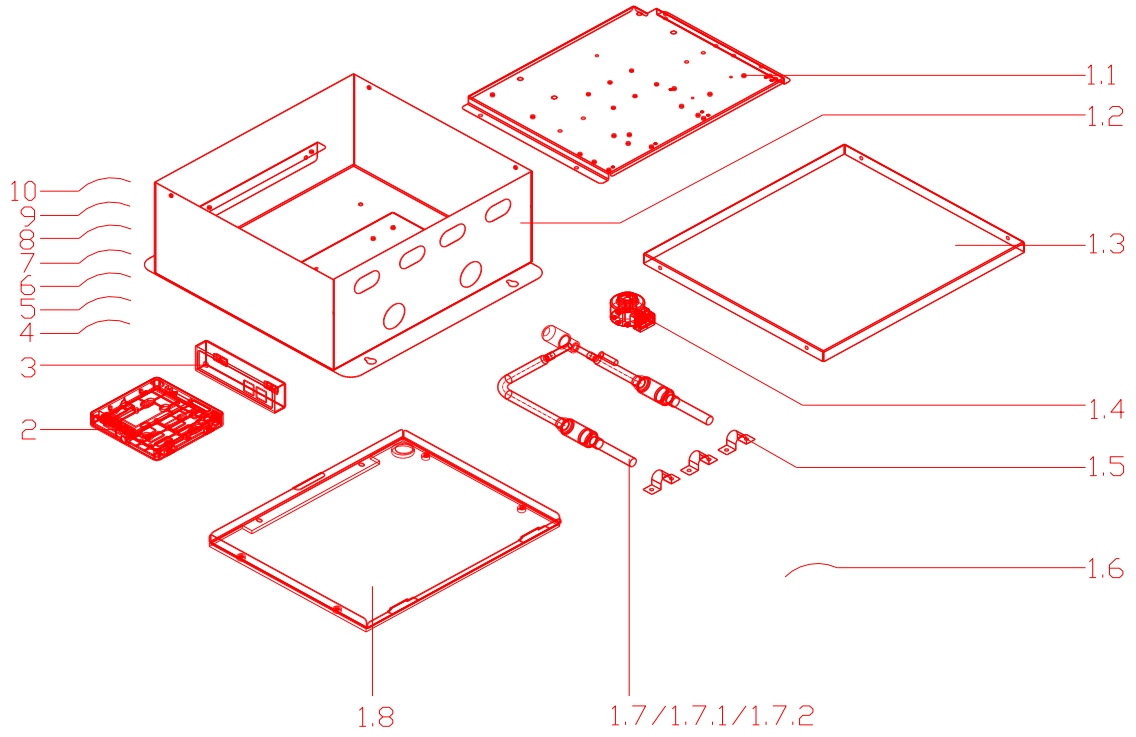
AHUKZ-01A



No	Description	Part Code	Note	Qty	Price Code
MODEL: AHUKZ-01A					
1	Indoor unit electric control box ass'y	203390990005		1	
1.1	Electrical installation board	201290990021		1	
1.2	Control box welding parts (SB2014)	201290990019		1	
1.3	The control box cover ((SB2014, AHUKZ-01A.D.1-1-SY	201290990022		1	
1.4	Electronic expansion valves wire (CAM-MD12GRSZ-5)	201601300577		1	
1.5	Pipe clamp B	201286900515		3	
1.6	Pipe temperature sensor ass'y	202301300726		1	
1.7	Electronic expansion valve ass'y	201690990009		1	
1.7.1	Electronic expansion valve	201601300532		1	
1.7.2	Strainer	201600900023		2	
1.8	Control box partition ass'y	201290990020		1	
1.9	Transformer (REACH-7)	202300900109		1	
1.10	Wire joint,4p	202301450046		1	
1.11	Wire joint, 7p	202301450032		1	
1.12	Terminal block 6P	202301400219		1	
1.13	Five Terminal Block (XYEPQ)	202301400247		1	
1.14	Main control board ass'y (0547)	201390990001		1	
2	Wired controller	203355100711		1	
3	Display box ass'y	203370190008		1	
4	Room temp. sensor ass'y	202301300197		1	
5	Pipe temp. sensor ass'y	202301300437		1	
6	Pipe temp. sensor ass'y	202301300526		1	
7	Room temp. sensor connecting wire group	202402200322		1	
8	Pipe temp. sensor connecting wire group	202402200323		1	
9	Pipe temp. sensor connecting wire group	202402200324		1	
10	Display panel connecting wire group	202402210199		1	

The data are subject to change without notice.

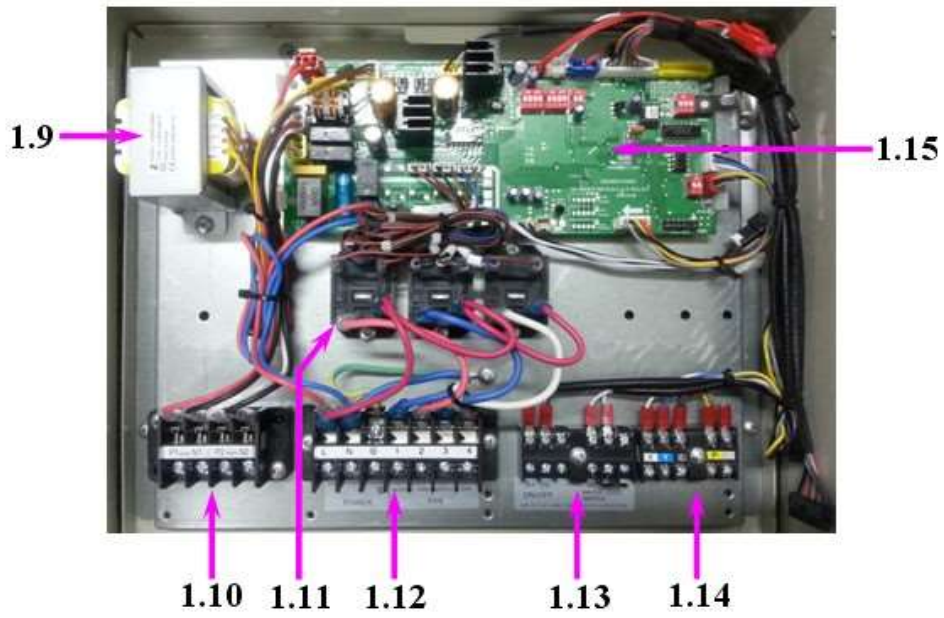
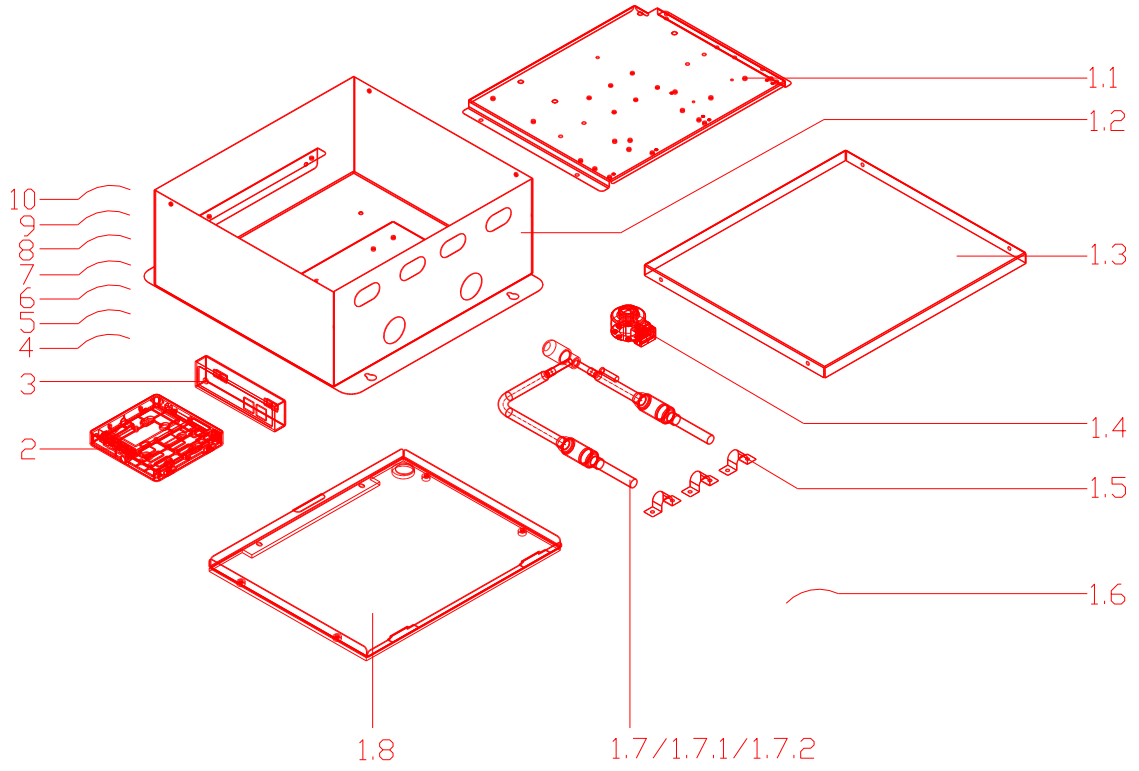
AHUKZ-02A



No	Description	Part Code	Note	Qty	Price Code
MODEL: AHUKZ-02A					
1	Indoor unit electric control box ass'y	203390990006		1	
1.1	Installation board ass'y	201290990021		1	
1.2	Electric control box welded parts (SB2014)	201290990019		1	
1.3	E-Part box cover	201290990022		1	
1.4	Electronic expansion valves wire	201601300572		1	
1.5	Pipe clamp B	201286900515		3	
1.6	Pipe temperature sensor assemblies	202301300726		1	
1.7	Electronic expansion valve ass'y	201690990012		1	
1.7.1	Electronic expansion valve	201601300571		1	
1.7.2	Strainer	201600900055		2	
1.8	Electrical box separator assembly	201290990020		1	
1.9	Transformer	202300900109		1	
1.10	Wire joint,4p	202301450046		1	
1.11	Relay	202300800071		3	
1.12	Wire joint, 7p	202301450032		1	
1.13	Terminal block 6P	202301400219		1	
1.14	Five Terminal Block	202301400247		1	
1.15	Indoor main board ass'y (0547)	201390990003		1	
2	Touch-style key wired controller	203355100711		1	
3	Display box ass'y	203370190008		1	
4	room temp sensor ass'y	202301300197		1	
5	Pipe temp.sensor ass'y	202301300437		1	
6	Pipe temperature sensor assemblies	202301300526		1	
7	Pipe temperature sensor assemblies	202402200322		1	
8	Pipe temperature sensor assemblies	202402200323		1	
9	Pipe temperature sensor assemblies	202402200324		1	
10	Display board Connecting wiring ass'y	202402210199		1	

The data are subject to change without notice.

AHUKZ-03A



No	Description	Part Code	Note	Qty	Price Code
MODEL: AHUKZ-03A					
1	Indoor unit electric control box ass'y	203390990006		1	
1.1	Installation board ass'y	201290990021		1	
1.2	Electric control box welded parts (SB2014)	201290990019		1	
1.3	E-Part box cover (SB2014, AHUKZ-01A.D.1-1-SY)	201290990022		1	
1.4	Electronic expansion valves wire	201601300572		1	
1.5	Pipe clamp B	201286900515		3	
1.6	Pipe temperature sensor assemblies	202301300726		1	
1.7	Electronic expansion valve ass'y	201690990012		1	
1.7.1	Electronic expansion valve	201601300571		1	
1.7.2	Strainer	201600900055		2	
1.8	Electrical box separator assembly	201290990020		1	
1.9	Transformer (REACH-7)	202300900109		1	
1.10	Wire joint,4p	202301450046		1	
1.11	Relay	202300800071		3	
1.12	Wire joint, 7p	202301450032		1	
1.13	Terminal block 6P	202301400219		1	
1.14	Five Terminal Block	202301400247		1	
1.15	Indoor main board ass'y (0547)	201390990003		1	
2	Touch-style key wired controller	203355100711		1	
3	Display box ass'y	203370190008		1	
4	room temp sensor ass'y	202301300197		1	
5	Pipe temp.sensor ass'y	202301300437		1	
6	Pipe temperature sensor assemblies	202301300526		1	
7	Pipe temperature sensor assemblies	202402200322		1	
8	Pipe temperature sensor assemblies	202402200323		1	
9	Pipe temperature sensor assemblies	202402200324		1	
10	Display board Connecting wiring ass'y	202402210199		1	

The data are subject to change without notice.

Take-back of electrical waste Information for Users to Disposal of electrical and electronic equipment (private households)

Icon on the product or in the accompanying documentation means that used electric or electronic products must not be disposed together with domestic waste. For the correct disposal of the product hand it over to a place for take-back, where it is collected free of charge. By correct disposal of the product you can help to preserve valuable natural resources and help in preventing potential negative impacts to environment and human health, which could be consequence of incorrect disposal of waste. Ask for more details from local authorities, nearest collection point, in Waste Acts of respective country, in the Czech Republic in Act no. 185/2001 Coll., in the wording of later regulations. In case of incorrect disposal of this waste, a fine can be imposed according to national regulations.



Manufacturer:

**Sinclair Corporation Ltd., 1-4 Argyll Street,
London W1F 7LD, UK**

Supplier and technical support:

Nepa, spol.s.r.o.

Purkyňova 45

612 00 Brno

Czech Republic

www.nepa.cz

Toll-free info line:

+420 800 100 285