

USER'S MANUAL

# WIRED CONTROLLER

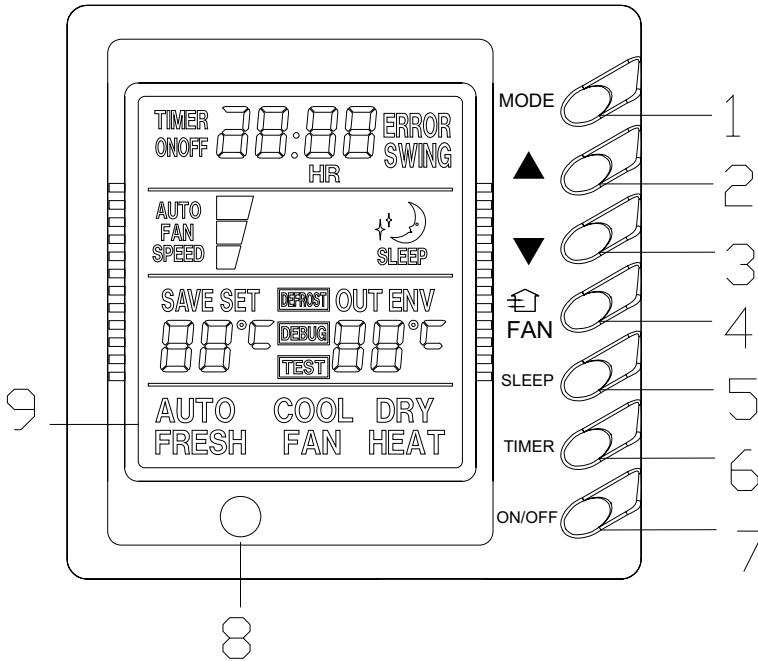
UNI ON-OFF SERIES  
Z4B351 (30294213)



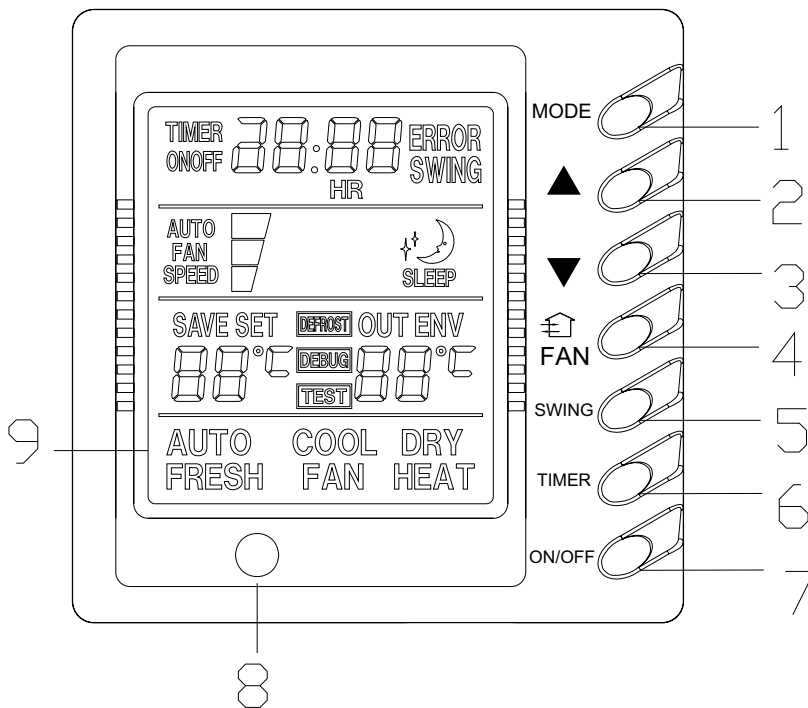
## 4 WIRED REMOTE CONTROLLER

### 4.1 Operation View

#### (1) Wired Controller-Duct Type



#### (2) Wired Controller-Cassette Type and Ceiling Type



NO.	Name	Function description
1	MODE button	Press the button to select the mode, cooling , heating , fan or auto mode.
2	Increasing button	Press this button to increase the setup temp.
3	Decreasing button	Press this button to decrease the setup temp.
4	Fan speed button	Press this button to set fan speed
5	Sleep/SWING button	Press the button to set sleep/swing function
6	Timer button	Press the button to set timer function
7	On/off button	Press the button to set start or close unit
8	Remote window	Get remote information
9	LCD display	Display unit information

Note:

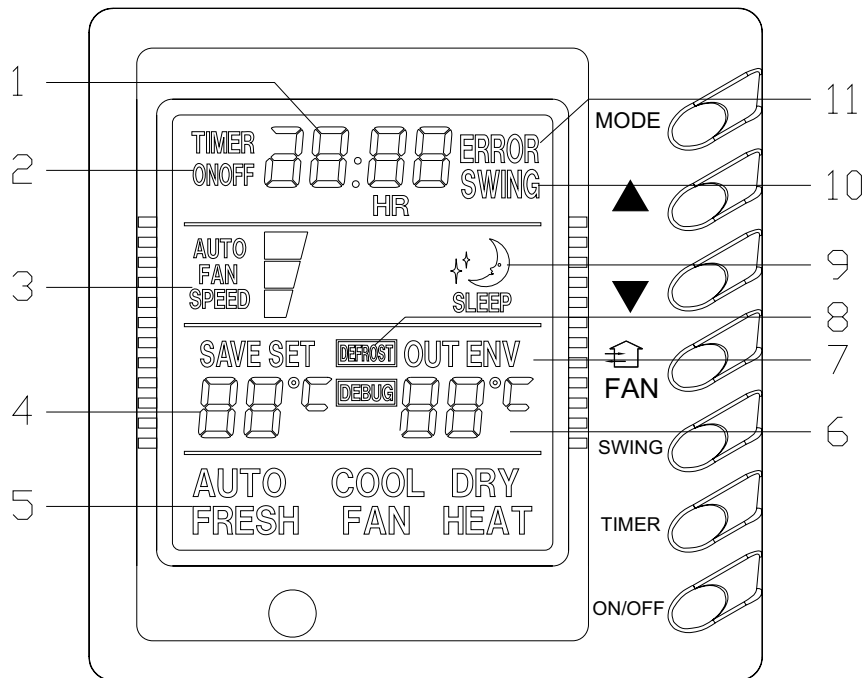
- (1) **SAVE set up** : At unit turned off, to press the “FAN” + “▼” buttons continuously 5 seconds, it can come enter save set up interphase, the unit will run at save mode.
- (2) **FRESH valve setup** : At unit is turned off, press the “ FAN” button for 5seconds,And set up the fresh air setup.
- (3) **Outer ambient temperature display:** Under normal condition, “ENV” will display the room ambient temperature, at unit turned on, or unit turned off status, press “SLEEP/SWING” button last for 5 seconds, the LCD will display “OUT ENV”.
- (4) **MEMORY function setup:** At unit turned off, press “MODE” button for 10 seconds, could switch whether turn on or off the unit state after powered off.
- (5) **Debugging function:** At unit off, continuously press “FAN” + “SLEEP” buttons lasting for 10seconds, call out debugging menu, and displays “Debugging” icons, use “MODE” button adjust setting item, by pressing “▲”、 “▼” button to set up the detailed value.



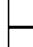
(A) **Ambient sensor set up:** it can set three kinds styles.

- (6) **Lock function:** Press “▲”and“▼” at the same time for 5 seconds, the set temp. will display “EE” and shield, all buttons will sound; and repress the“▲”and “▼”at the same time for 5 seconds, the lock function will be released.

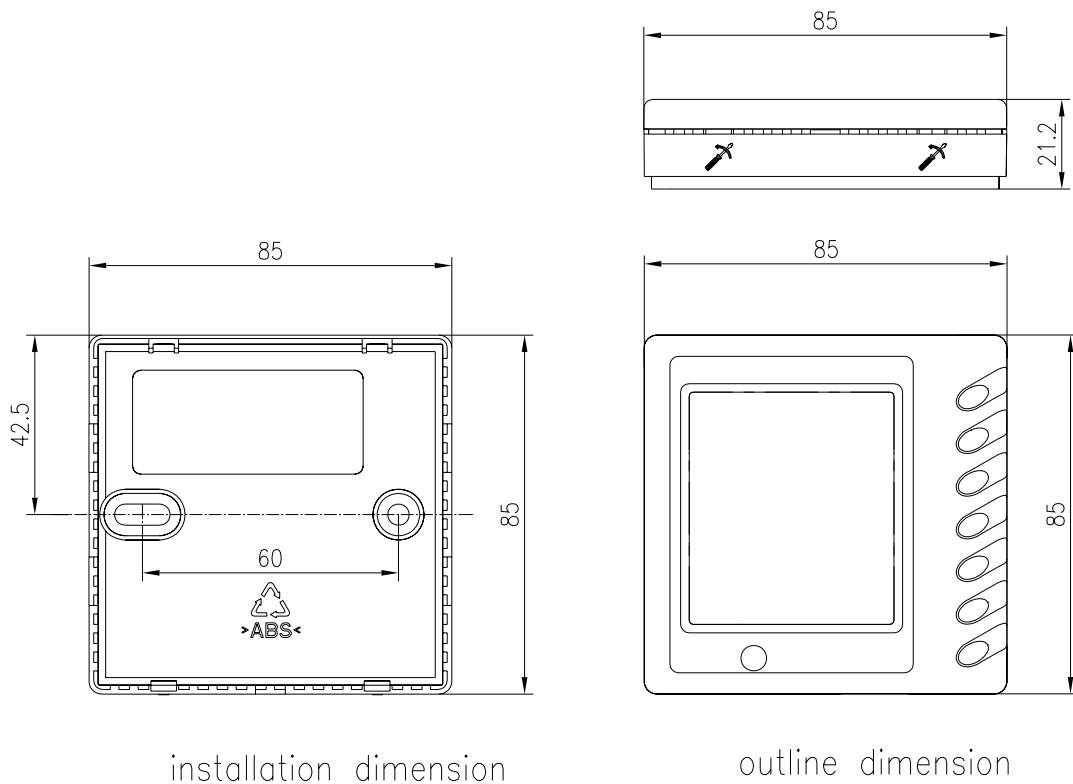
(for details, please read corresponding parts of manual).

## 4.2 Display View



NO.	Name	Function description
1	Timer value	Display time value
2	Timer on/off	TIMER ON : display timer on, TIMER OFF :display timer off,
3	Fan speed display	AUTO FAN SPEED: auto fan speed,  : low fan speed,  : middle fan speed,  : high fan speed
4	Set temp display	Display set temp value, its range is 16~30 °C
5	Run mode display	AUTO: auto mode, COOL: cool mode, DRY: dry mode, FRESH: fresh fan mode, FAN: fan mode, HEAT: heat mode(only cool and heat unit)
6	Indoor temp display	Display surrounding temp indoor
7	Outdoor temp display	Display surrounding temp outdoor
8	Frost display	When unit frosts ,it display
9	Sleep display	Display sleep at Sleep mode
10	Swing display	When setting swing function, it displays,
11	Error display	When unit error, error code display

### 4.3 Dimension



installation dimension

outline dimension

### 4.4 Installation

1. First select an installation position. According to the size of the communication line of the wire controller, leave a recess or a embedded wire hole to bury the communication line.
2. If the communication line between the wire controller (85×85×20) and the indoor unit is surface-mounted, use 1# PVC pipe and make matching recess in the wall (refer to Figure 6); If concealed installation is adopted, 1# PVC pipe can be used (Refer to Figure 7).
3. No matter if surface mounting or concealed mounting is selected, it is required to drill 2 holes (in the same level) which distance shall be the same as the distance (60mm) of installation holes in the bottom plate of the wire controller. Then insert a wood plug into each hole. Fix the bottom plate of the wire controller to the wall by using the two holes. Plug the communication line onto the control panel. Lastly install the panel of the wire controller.

#### Caution:

During the installation of the bottom plate of the wire controller, pay attention to the direction of the bottom plate. The plate's side with two notches must be at the lower position, and otherwise the panel of the wire controller cannot be correctly installed.

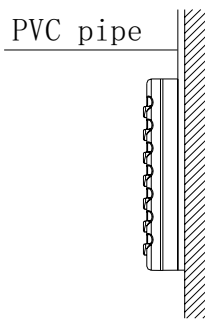


Fig6: Surface Mounting of Cable

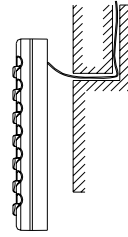


Fig7: Concealed mounting of Cable

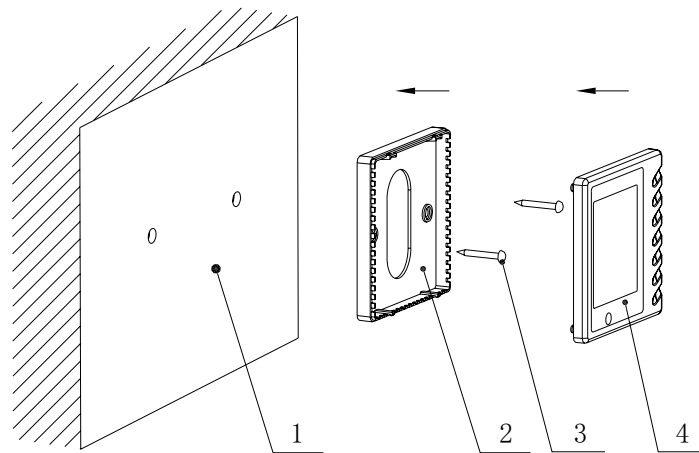


Fig 8 Schematic Diagram of Installation

No.	Name
1	Wall Surface
2	Bottom Plate of Wire Controller
3	Screw M4X10
4	Panel of Wire Controller

**⚠ Caution:**

1. The communication distance between the main board and the wire controller can be as far as 20m (The standard distance is 8m).
2. The wire controller shall not be installed in a place where there is water drop or large amount of water vapor.

## **Take-back of electrical waste Information for Users to Disposal of electrical and electronic equipment (private households)**

Icon on the product or in the accompanying documentation means that used electric or electronic products must not be disposed together with domestic waste. For the correct disposal of the product hand it over to a place for take-back, where it is collected free of charge. By correct disposal of the product you can help to preserve valuable natural resources and help in preventing potential negative impacts to environment and human health, which could be consequence of incorrect disposal of waste. Ask for more details from local authorities, nearest collection point, in Waste Acts of respective country, in the Czech Republic in Act no. 185/2001 Coll., in the wording of later regulations. In case of incorrect disposal of this waste, a fine can be imposed according to national regulations.



### **Manufacturer:**

**Sinclair Corporation Ltd., 1-4 Argyll Street,  
London W1F 7LD, UK**

### **Supplier and technical support:**

**Nepa, spol.s.r.o.**

**Purkyňova 45**

**612 00 Brno**

**Czech Republic**

**[www.nepa.cz](http://www.nepa.cz)**

### **Toll-free info line:**

**+420 800 100 285**